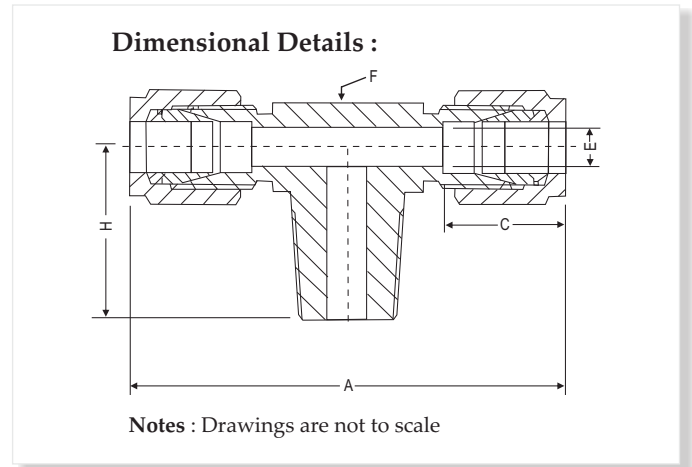


MALE BRANCH TEE



Dimension, in.

| Tube OD | NPT Male Thread Size | Part Number | A | C | E | F | H |
|---------|----------------------|-------------|------|------|------|-------|------|
| 1/8 | 1/8 | K2TMB2N | 1.86 | 0.50 | 0.09 | 7/16 | 0.70 |
| 1/8 | 1/4 | K2TMB4N | 1.94 | 0.50 | 0.09 | 1/2 | 0.92 |
| 1/4 | 1/8 | K4TMB2N | 2.12 | 0.60 | 0.19 | 1/2 | 0.74 |
| 1/4 | 1/4 | K4TMB4N | 2.12 | 0.60 | 0.19 | 1/2 | 0.74 |
| 3/8 | 1/4 | K6TMB4N | 2.40 | 0.66 | 0.28 | 5/8 | 1.00 |
| 3/8 | 3/8 | K6TMB6N | 2.62 | 0.66 | 0.28 | 13/16 | 1.11 |
| 1/2 | 3/8 | K8TMB6N | 2.84 | 0.90 | 0.38 | 13/16 | 1.11 |
| 1/2 | 1/2 | K8TMB8N | 2.84 | 0.90 | 0.41 | 13/16 | 1.30 |
| 3/4 | 3/4 | K12TMB12N | 3.14 | 0.96 | 0.62 | 11/16 | 1.45 |

Dimension, mm.

| Tube OD | NPT Male Thread Size | Part Number | A | C | E | F in | H |
|---------|----------------------|-------------|------|------|------|-------|------|
| 6 | 1/8 | KM6TMB2N | 53.9 | 15.3 | 4.8 | 1/2 | 18.8 |
| 6 | 1/4 | KM6TMB4N | 53.9 | 15.3 | 4.8 | 1/2 | 23.4 |
| 8 | 1/8 | KM8TMB2N | 59.7 | 16.2 | 4.8 | 5/8 | 20.8 |
| 8 | 1/4 | KM6TMB4N | 59.7 | 16.2 | 6.4 | 5/8 | 25.4 |
| 10 | 1/4 | KM10TMB4N | 67.0 | 17.2 | 7.1 | 13/16 | 26.2 |
| 12 | 3/8 | KM12TMB6N | 72.0 | 22.8 | 9.5 | 13/16 | 28.2 |
| 12 | 1/4 | KM12TMB4N | 72.0 | 22.8 | 7.1 | 13/16 | 28.2 |
| 12 | 1/2 | KM12TMB8N | 72.0 | 22.8 | 9.5 | 13/16 | 33.0 |
| 16 | 1/2 | KM16TMB8N | 77.6 | 24.4 | 11.9 | 1 | 35.8 |

Note:

- A and C dimensions are typical finger-tight

Dimensions and specifications shown are approximate, may vary from time to time.

Ventil tube fittings are ordered by part numbers as listed in this catalogue and other sizes will be available on request.